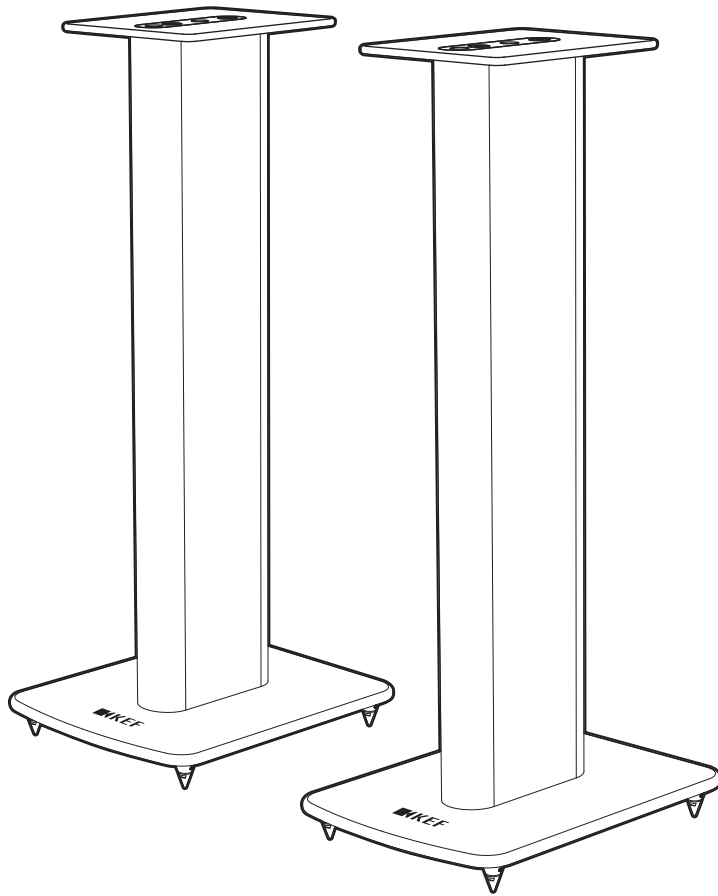




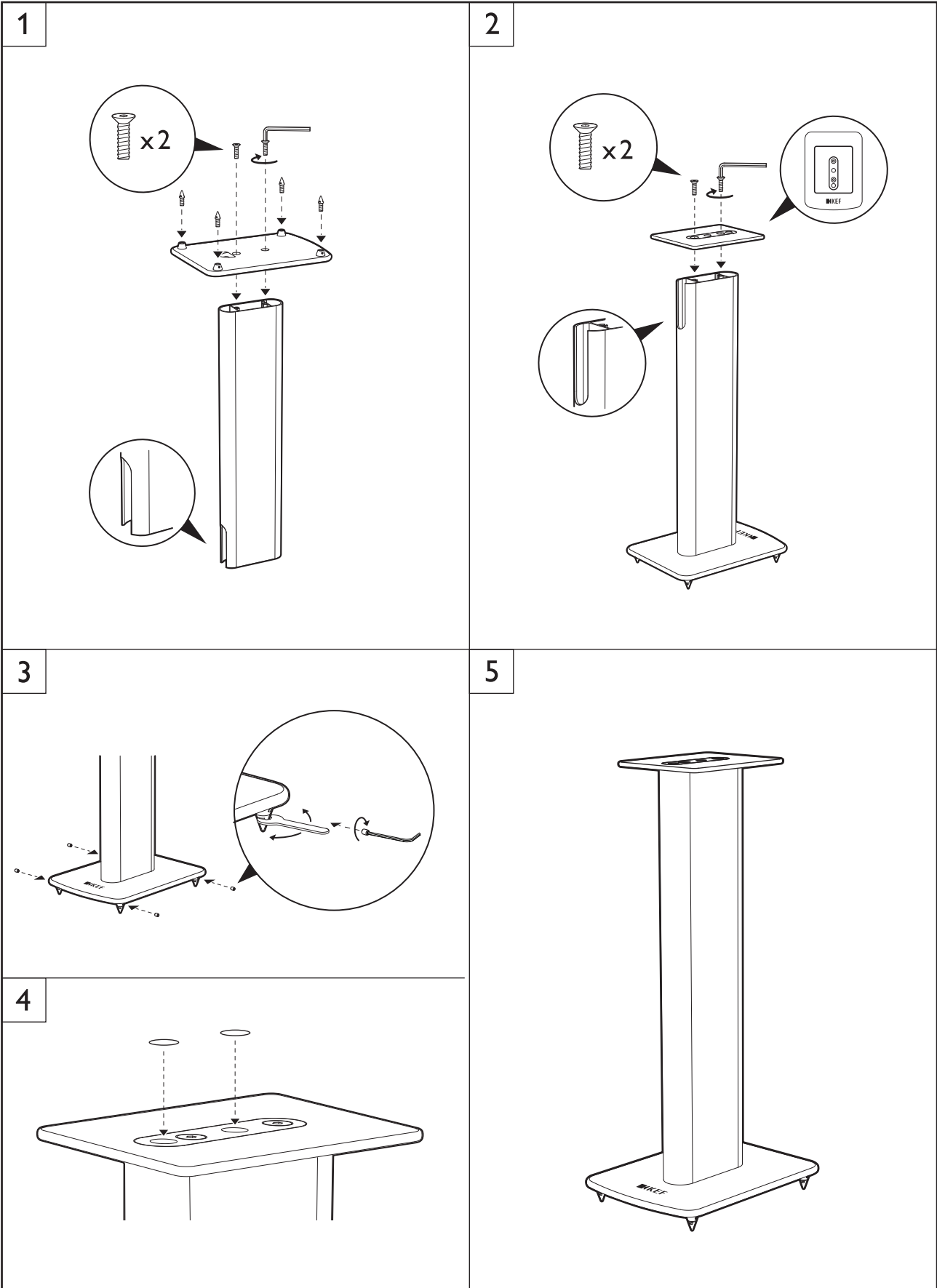
OBSESSED WITH HIGH RESOLUTION



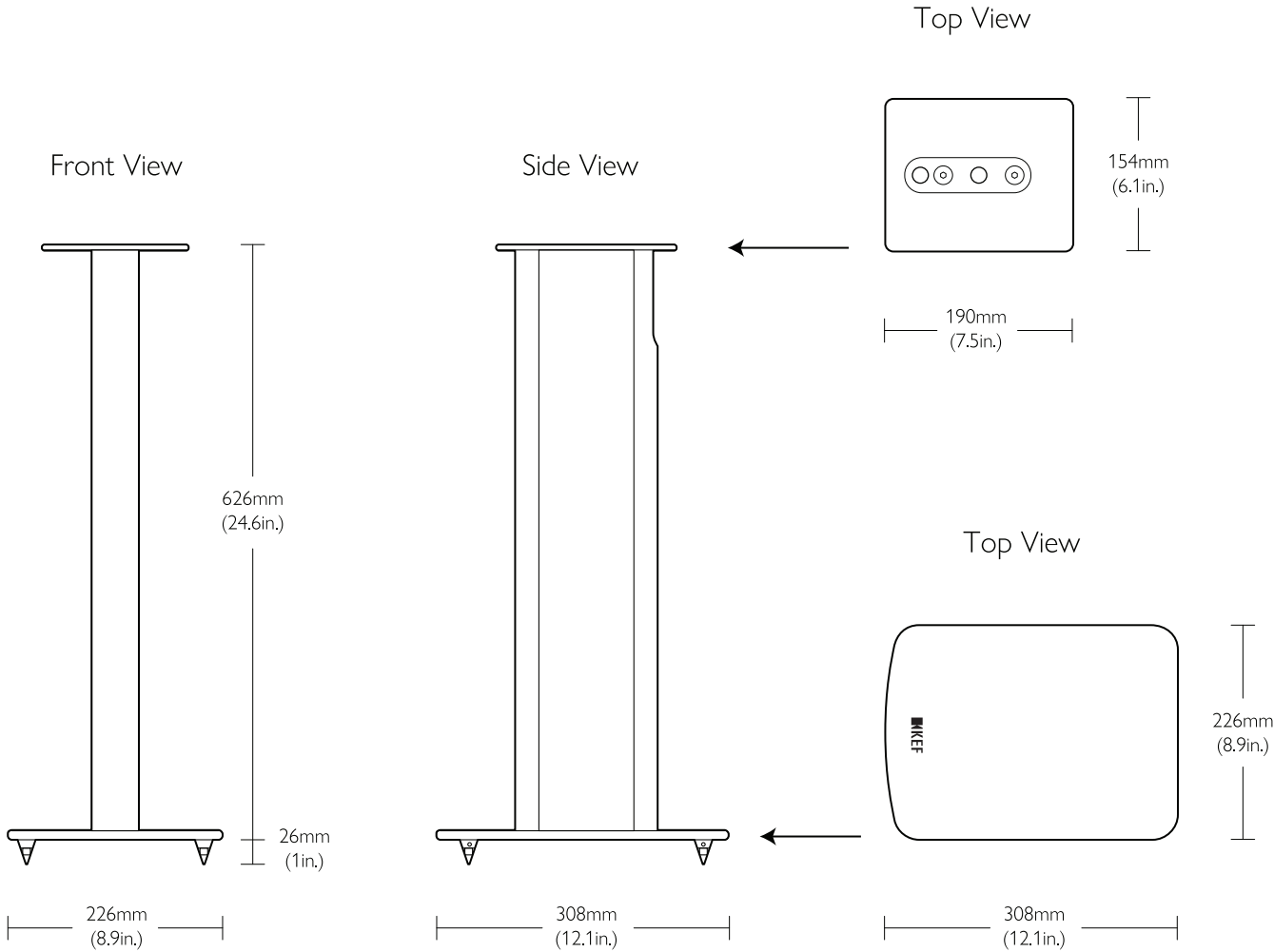
Installation and Speaker Placement Guide

Performance Speaker Stand

Installation Instructions

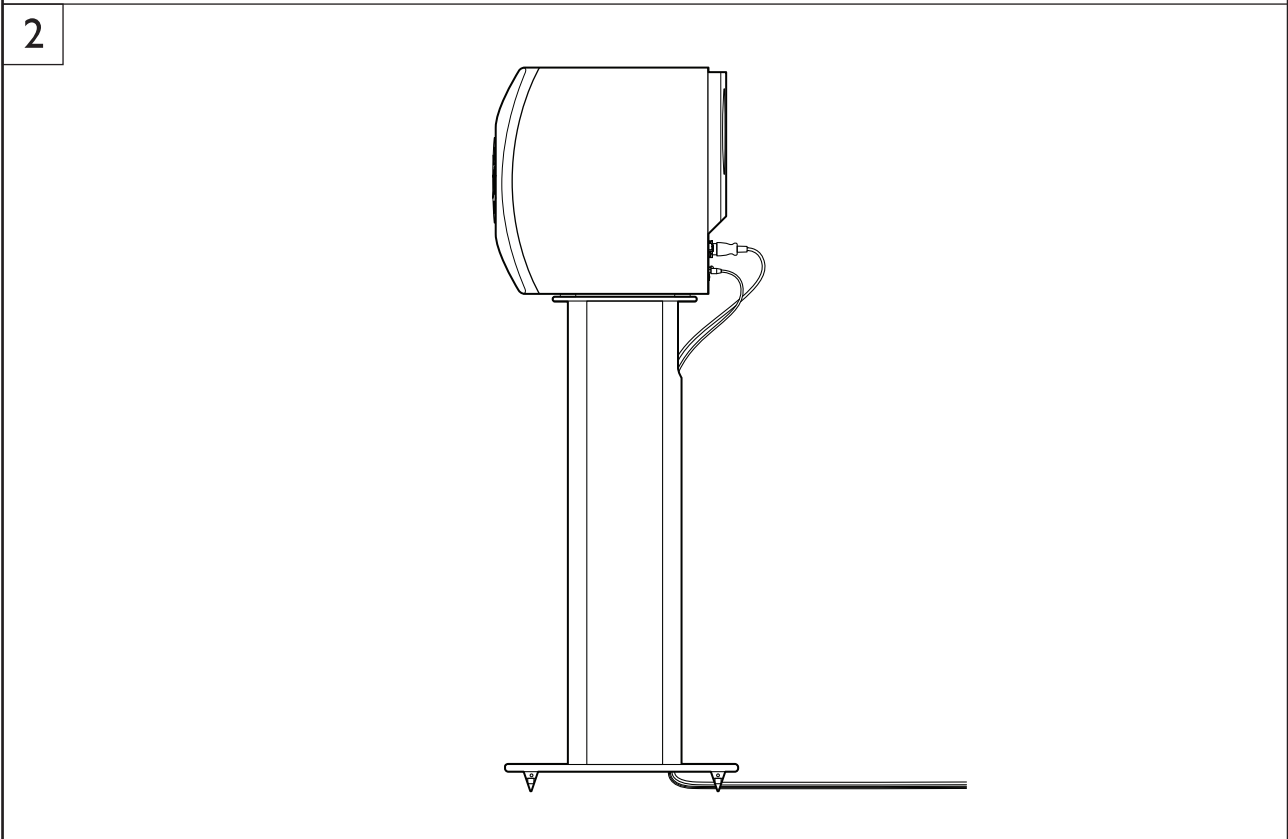
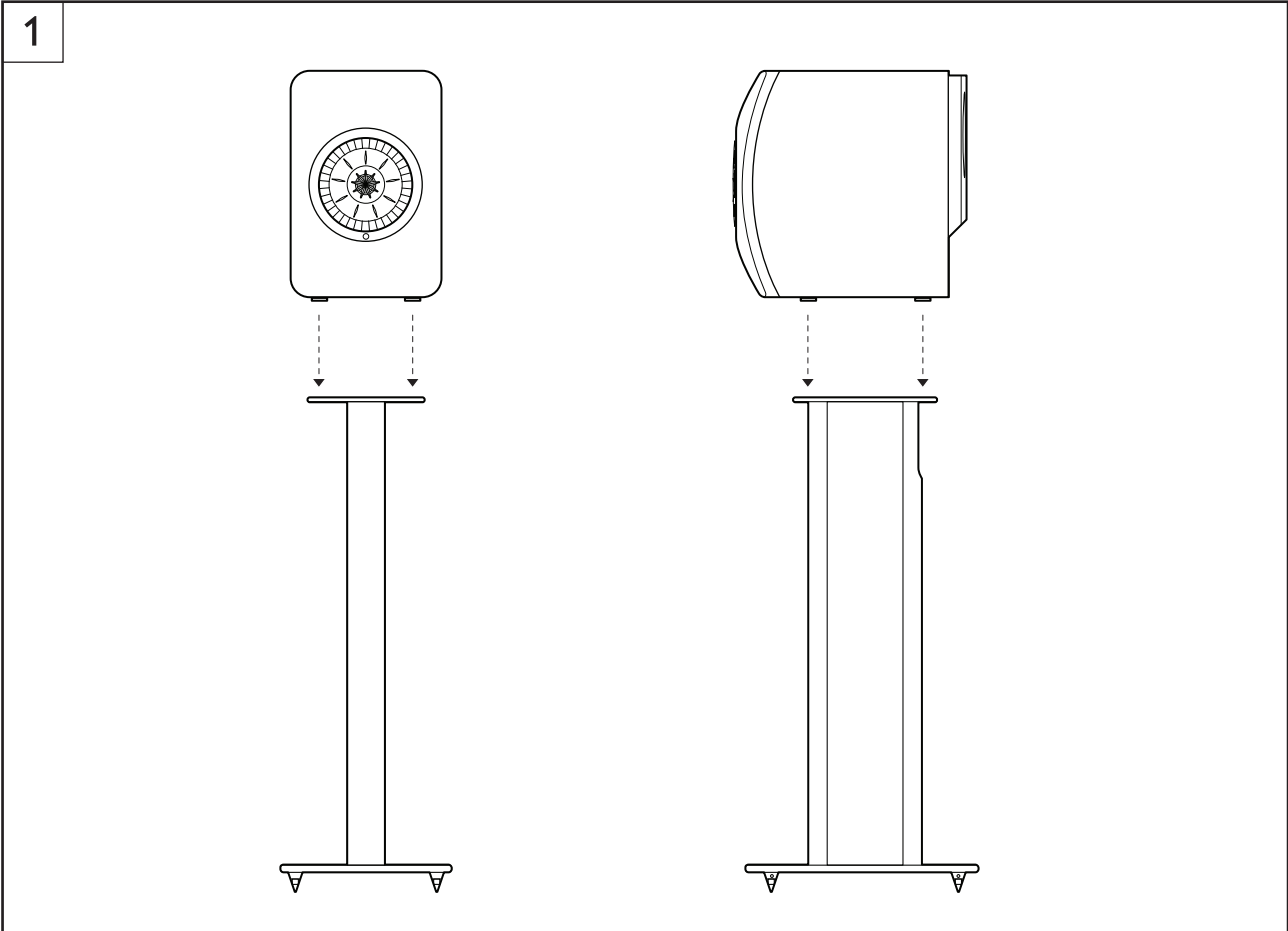


Specifications



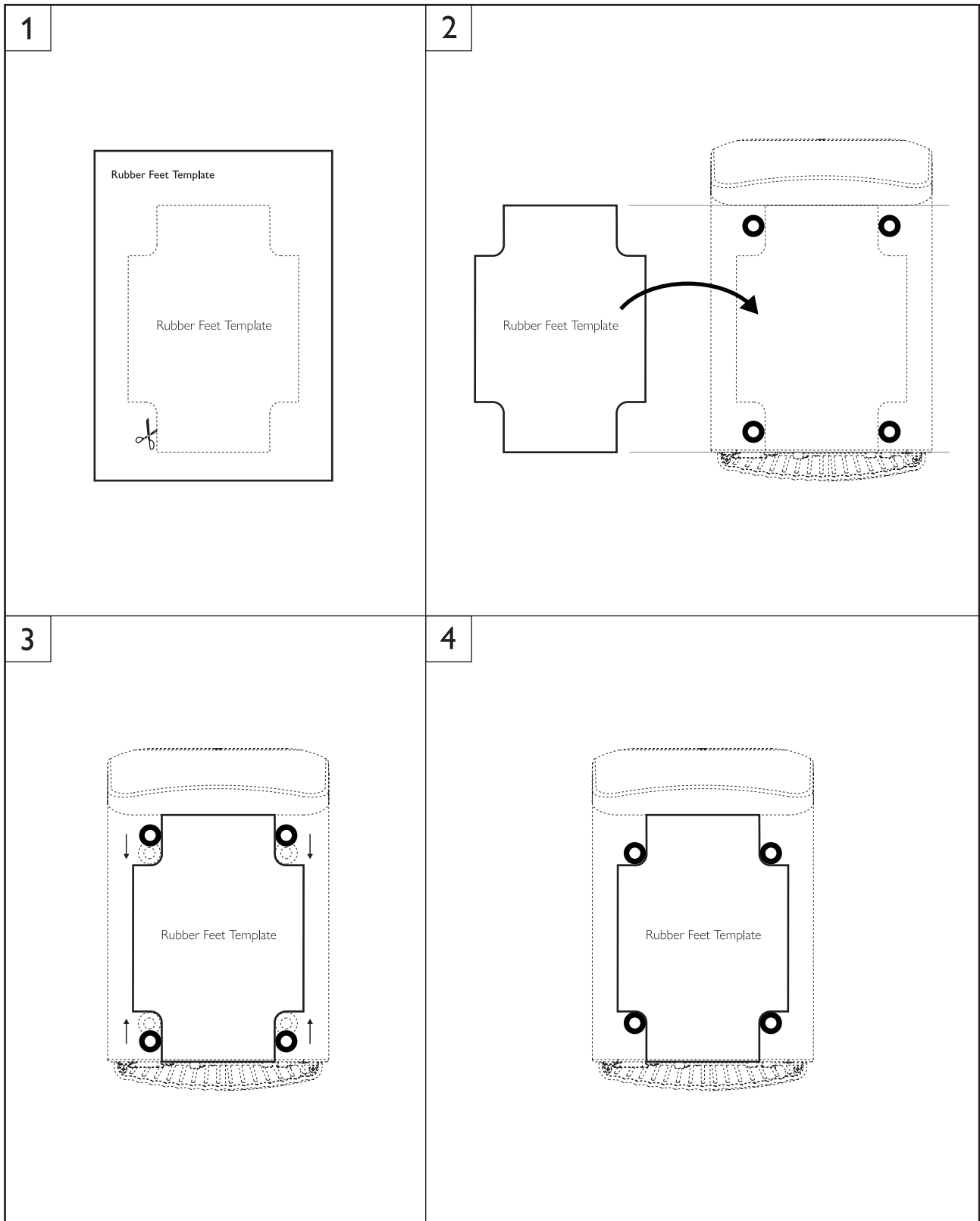
Weight per stand: 4.65kg (10.3 lbs)

LS50 / LS50 Wireless Speaker Placement on Stand



Troubleshooting

If your LS50 Wireless does not sit perfectly on the KEF Performance Speaker Stand, please follow below instructions to relocate the rubber feet.



Rubber Feet Template

Print as A4 and in 100%

