

Ci130QRfl



Architectural Speaker

OBSESSED WITH HIGH RESOLUTION

Product Overview

The KEF Ci130QRfl is a flush-mounted frameless architectural speaker featuring an easy installation process. Designed for both new construction and retrofitting, Ci130QRfl becomes flush with the wall or ceiling – ideal for current design trends of clean lines and minimalist features. Not only does Ci130QRfl deliver visually, but it features all of the acoustic technologies that makes the Ci-Q Series an ideal choice for bringing high quality sound into any room.

Built around KEF's signature Uni-Q driver array, combining a 130mm (5.25in.) midrange driver and 19mm (0.75in.) tweeter, Ci130QRfl acts as a single point source that delivers natural sound throughout the room, eliminating the narrow 'sweet spot.'

The Ci130QRfl is presented in a round format, whilst the Ci130QSfl is identical in terms of driver size and technology, but in a square format.



Key Features

KEF "Sit Anywhere" Uni-Q® Technology – This proprietary driver array places the tweeter in the acoustic centre of the woofer delivering wide dispersion with consistent sound characteristics throughout the room. Because the high and low frequencies originate from the same point in space, acoustic lobing problems common to other speaker designs are virtually eliminated and imaging is greatly improved to effectively shift the sound to appear as if it's originating from behind the video screen.

Tangerine Waveguide™ – In addition to protecting the driver, the Tangerine Waveguide further enhances dispersion allowing for coverage of any seating position.

Flush Mount Installation – Frameless design provides seamless integration with the wall or ceiling.

Uni-Q Driver Array – With 130mm (5.25in) MF/LF driver and 19mm (0.75in) HF driver.

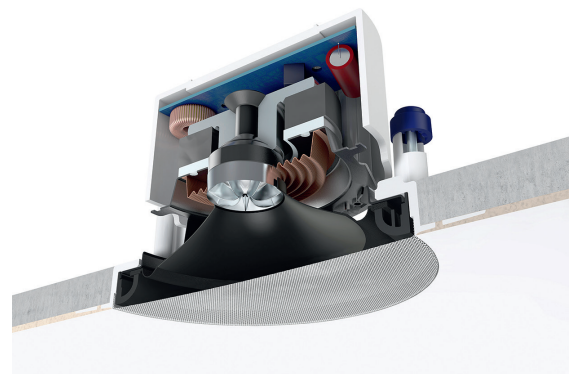
Easy to Install – Ci130QRfl is easy to install as part of the plastering process.

Magnetic Grille – For security and ease of installation, the grille attaches by a powerful magnetic circuit and can be painted to match any décor.

Gold-Plated Spring Loaded Binding Posts – This design improves ease of installation and guarantees consistent wire clamping pressure to ensure proper electrical transfer.

Covered Crossover Circuit – The cover adds structural rigidity to the speaker assembly while protecting the electrical crossover components from potential damage.

Choice of Formats – Available in round (Ci130QRfl) and square (Ci130QSfl) formats.



Cross section showing an installed Ci130QRfl

Specifications

Model		Ci130QRfl
Series		FL Series
Nominal impedance		8Ω
Sensitivity (2.83V/1m)		87dB
Frequency response (±6dB) open-backed		45Hz - 34kHz
Frequency range (-10dB)"		38Hz - 30kHz
Nominal coverage		130°
Max SPL		103dB
Crossover frequency		3.8kHz
Drive units	LF	130mm (5.25in.) Uni-Q
	HF	19mm (0.75in.)
Recommended amplifier power		10 - 100 W
Recommended high-pass filter		50Hz
Product external dimensions	Diameter Ø	200.6mm (7.9in.)
	Depth	104.6mm (4.12in.)
Cut-out dimensions	Diameter Ø	158mm (6.22in.)
Net weight		1.45kg (3.19lbs.)
Mounting depth from surface		101mm (3.98in.)
Optional rough in frame		N/A
Optional rear enclosure		N/A
Ideal rear volume		15L
Minimum rear volume		10L
Safety and Regulatory Compliance		N/A
Ceiling thickness (Maximum)		35mm (1.38in.)
Ceiling thickness (Minimum)		9mm (0.36in.)

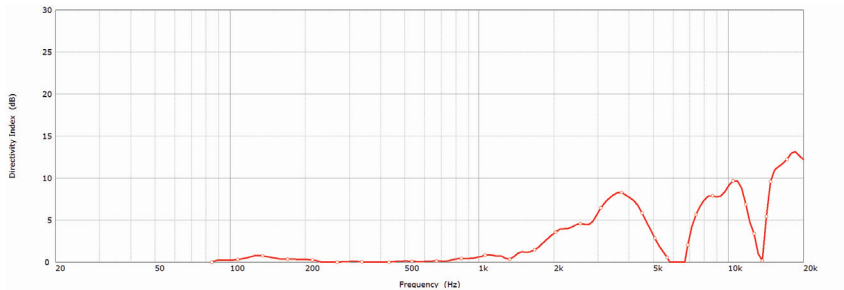
Ci130QRfl

Architectural Speaker

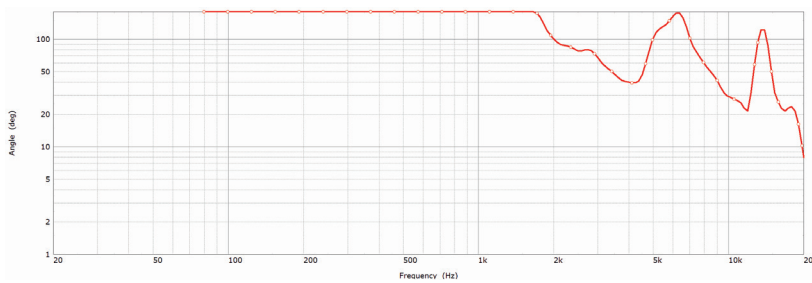


OBSSESSED WITH HIGH RESOLUTION

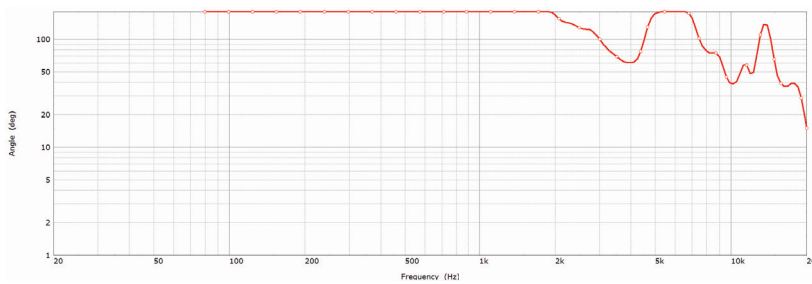
Directivity Index



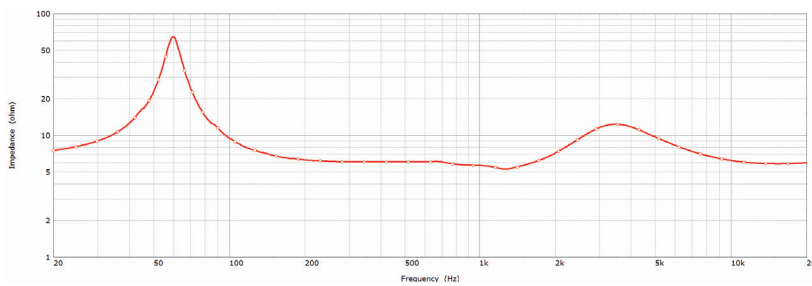
Beamwidth -3dB



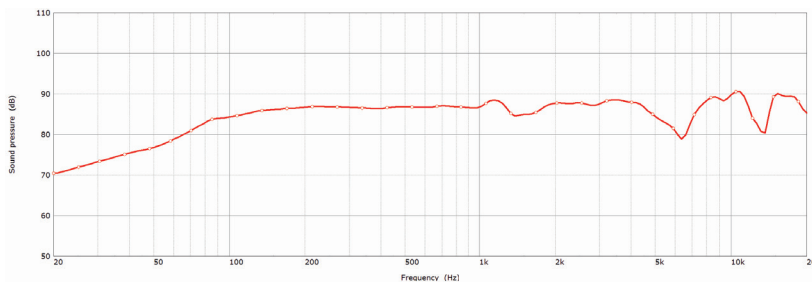
Beamwidth -6dB



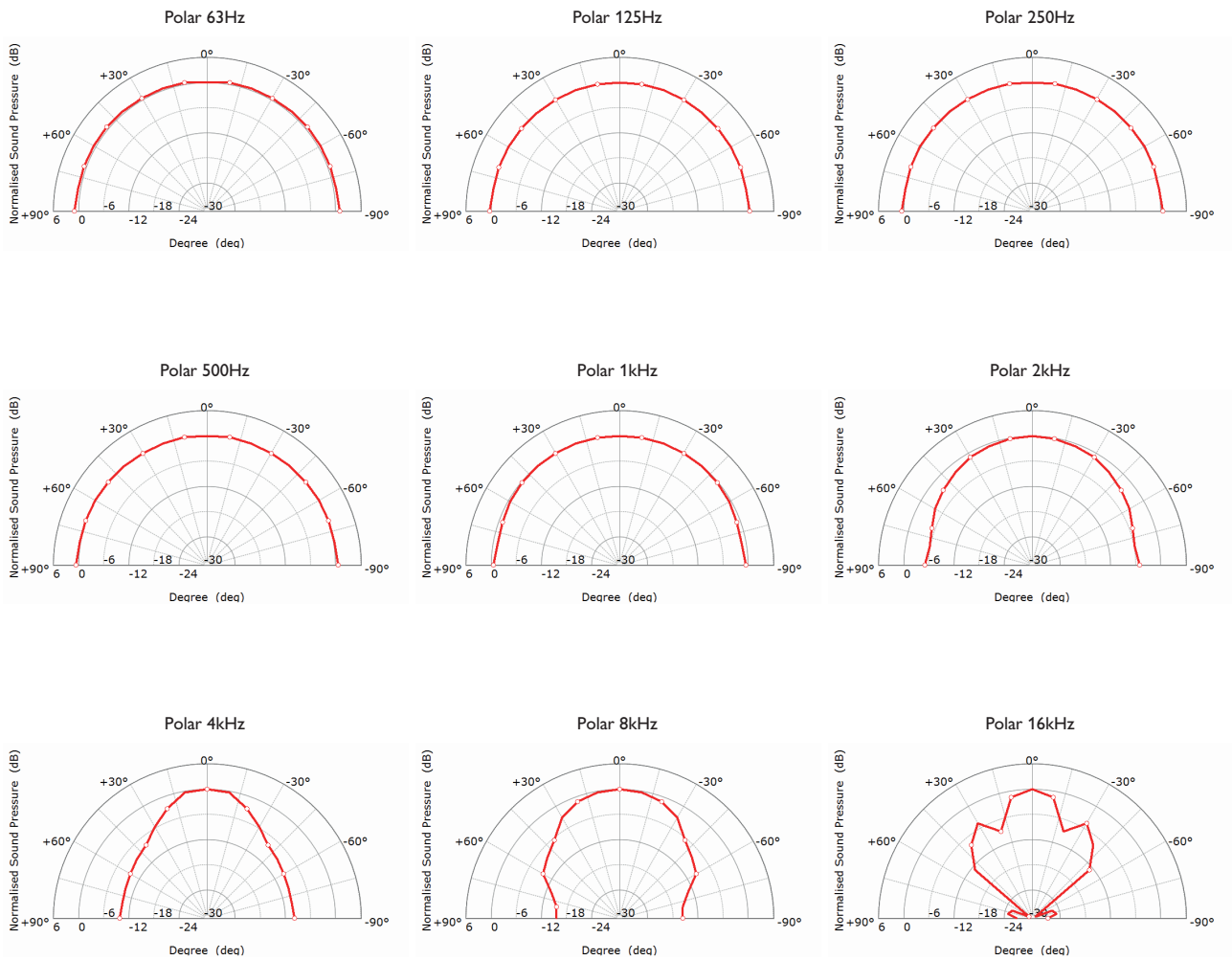
Impedance



Sensitivity (2.83V/1m)



Polar Responses



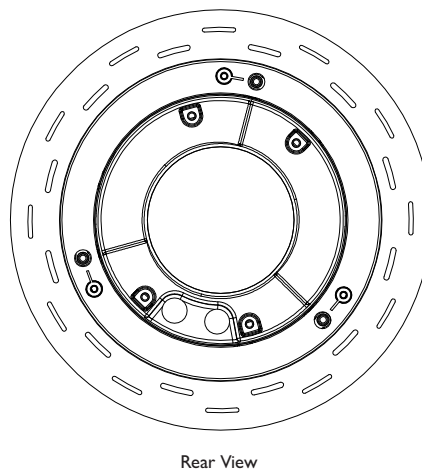
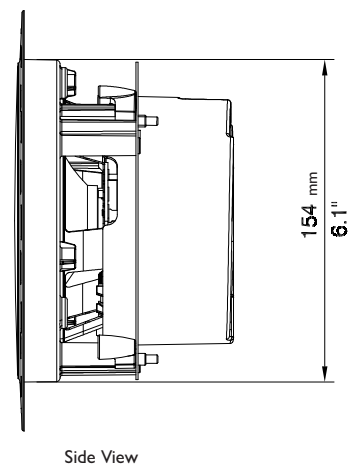
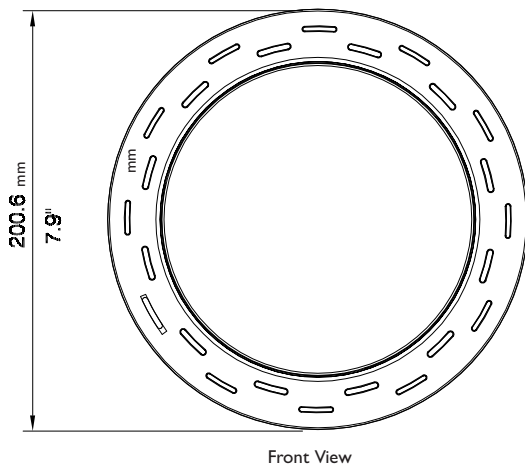
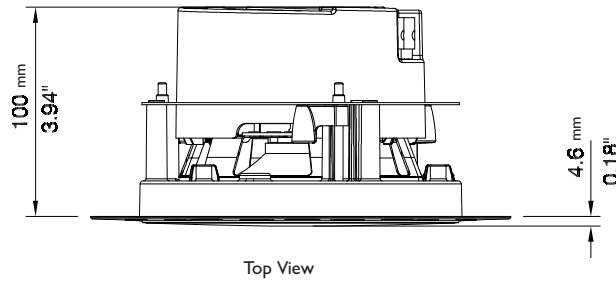
Ci130QRfl



Architectural Speaker

OBSESSED WITH HIGH RESOLUTION

Mechanical Diagrams



Dimensions in mm (inches)

Visit KEF.COM for more about KEF and its products.

KEF reserves the right, in line with continuing research and development, to amend or change specifications. E&OE.