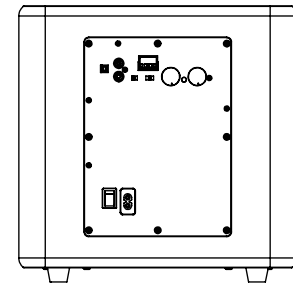
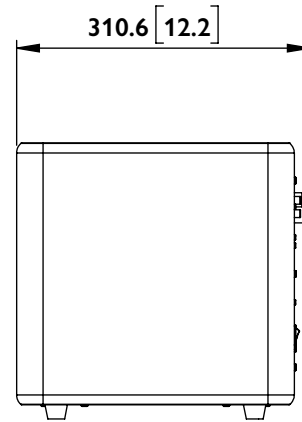
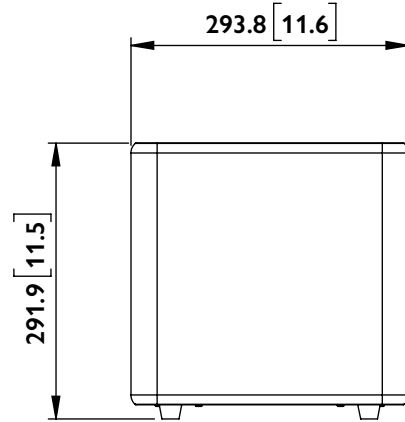
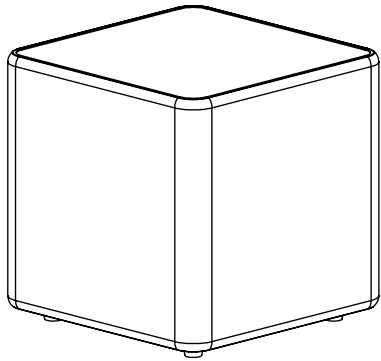




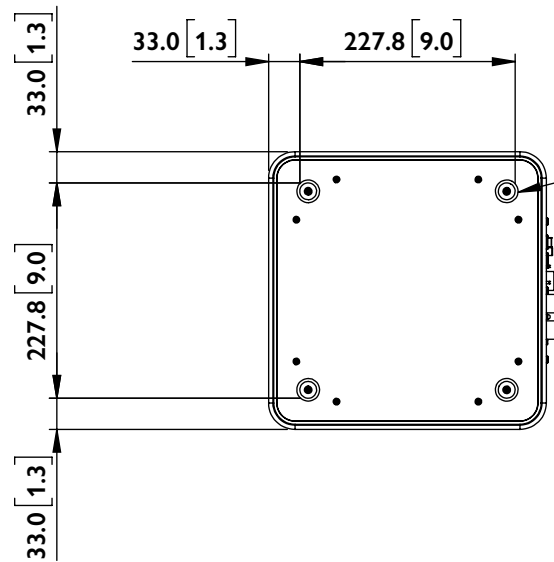
FRONT

SIDE

BACK



BOTTOM



Feet thread size:  
M3 x pitch 0.5

Kube 8b

UNIT: MM [INCH]