

E SERIES

HOME THEATRE SPEAKER SYSTEM





EXTREMELY E SERIES

Introducing the world's most advanced, high performance home theatre speaker system - featuring a genuine high fidelity sound - that's certain to bowl you over. Compact and elegant, E Series discretely delivers the full entertainment experience.

KEF

EXTREMELY ICONIC

Inspired by KEF's multiple award-winning 'egg' design, that revolutionised home entertainment with its rich, spacious and realistic 3D sound imagery, the new E Series packs uniquely advanced technologies in highly distinctive compact satellite speakers and a potent new powered subwoofer subtly styled to match. Available in deep black or pure white, the silky matt finish is complemented by satin chrome cast aluminium bases that simply rotate to form wall brackets. Bespoke optional floor stands are also available.



E301
Uni-Q driver array

EXTREMELY ACCURATE

As you'd expect from a brand with an unrivalled 50-year record of innovation in pursuit of the purest, most accurate sound reproduction, the E Series has all the acoustic integrity and exceptional dispersion characteristics of its legendary predecessor, and then some.

With the new 4.25" Uni-Q® driver array derived from the award-winning Q Series, it elevates home theatre audio to a new level of performance and enjoyment. For very large rooms or the ultimate surround sound experience, the system can easily be upgraded with additional satellites to a 7.1 configuration.

EXTREMELY SIMPLE

Everything about the new E305 system is designed to make life easier and more pleasurable. It's simple to hook up to any AV receiver, which also controls the output level of the subwoofer. With no special tools or skills required, you'll set up your system for optimum performance in no time.

E SPECIFICATIONS

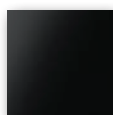
Satellite / Centre Speakers

Model	E301/301c	
Design	Two-way bass reflex	
Drive units	Uni-Q driver array: HF: 19mm (0.75in.) vented aluminium dome MF/LF: 115mm (4.25in.) aluminium	
Frequency range (-6dB)	80Hz - 45kHz	
Frequency response (± 3 dB)	90Hz - 33kHz	
Crossover frequency	2.7kHz	
Amplifier requirements	10 - 100 W	
Sensitivity (2.83V/1m)	86dB	
Harmonic distortion 2nd & 3rd harmonics (90dB, 1m)	<1% 100Hz - 40kHz	
Maximum output (SPL)	109dB	
Nominal impedance	8 Ω (min. 3.4 Ω)	
Internal volume	1.5 Litres	
Weight	2.4kg (5.3lbs.)	
Dimensions (H x W x D)	E301	260 x 136 x 159 mm (10.2 x 5.4 x 6.3 in.)
(with grille and base)	E301c	157 x 220 x 155 mm (6.2 x 8.7 x 6.1 in.)
Optional accessory	Floorstand	

Subwoofer

Model	E-2	
Design	Powered subwoofer	
LF Drive unit	200mm (8in.)	
Frequency range (-6dB)	33Hz - 280Hz	
Amplifier	250W built-in Class-D	
Maximum output (SPL)	102dB	
Low pass filter variable	Fixed 250Hz, 2nd-order	
Low level signal inputs	RCA phono socket	
Enclosure type	Sealed	
Internal volume	14.7 Litres	
Power requirements	100 - 240VAC 50/60Hz	
Power consumption	250VA	
Weight	7.25kg (16lbs.)	
Dimensions (H x W x D)	320 x 430 x 270 mm (12.6 x 16.9 x 10.6 in.)	

Finishes



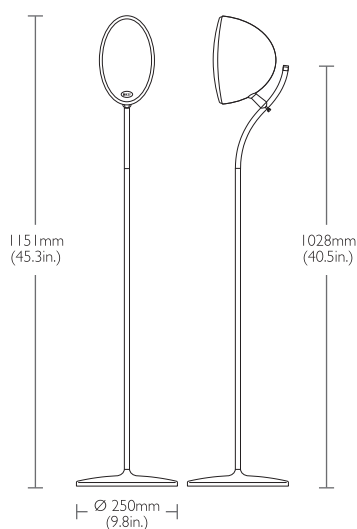
Deep Black



Pure White



www.kef.com



KEF and Uni-Q are registered trademarks. Uni-Q and other KEF technologies are protected by worldwide patents. All text and image copyrights reserved. KEF reserves the right, in line with continuing research and development, to amend or change specifications. E&OE.