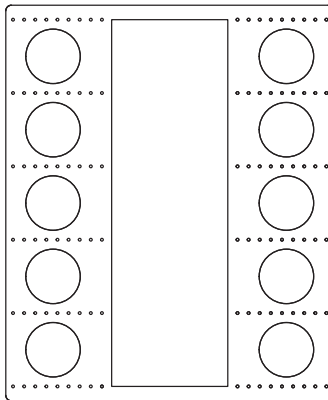
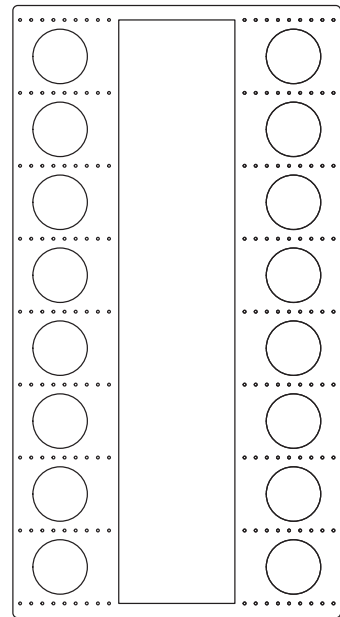


RIF4100L



RIF3160L



RIF5160L

RIF

Installation Manual

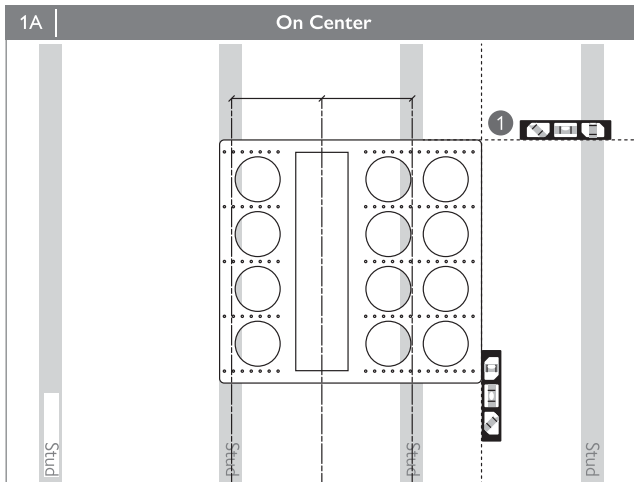
Rough-in Frames are used for in-wall speaker installation

Warning

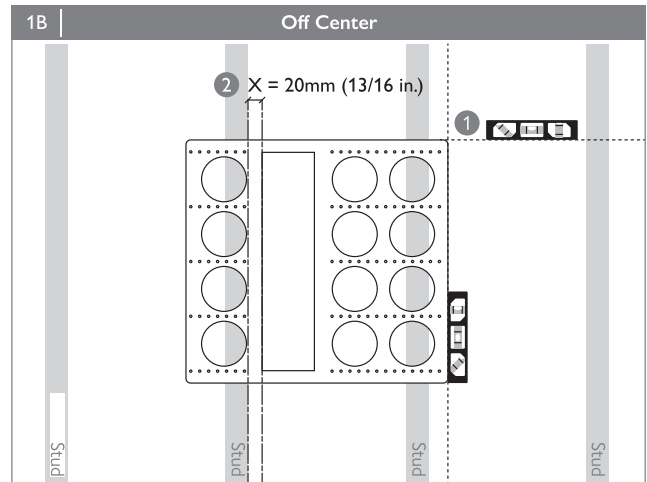
Installation should be performed by installer who is skilled in the proper use of hand and power tools, knowledge of local building and fire codes, and who is familiar with the environment behind the wall or ceiling where the speaker is being installed. No attempt should be made to install these loudspeakers unless you are sure you will not be cutting through electric cables, water or gas pipes, or supporting joists. Ensure the loading on the wall or ceiling will support the weight of these materials.

Installation

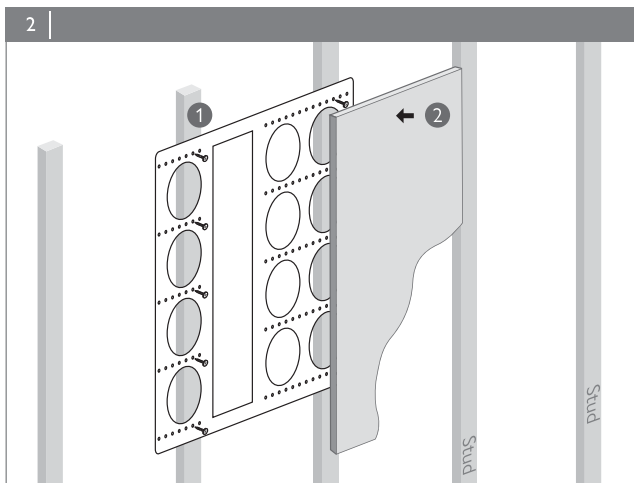
RIF4100L is for Ci4100QL-THX / RIF3160L is for Ci3160RL-THX & Ci3160RLb-THX / RIF5160L is for Ci5160REF-THX & Ci5160RL-THX



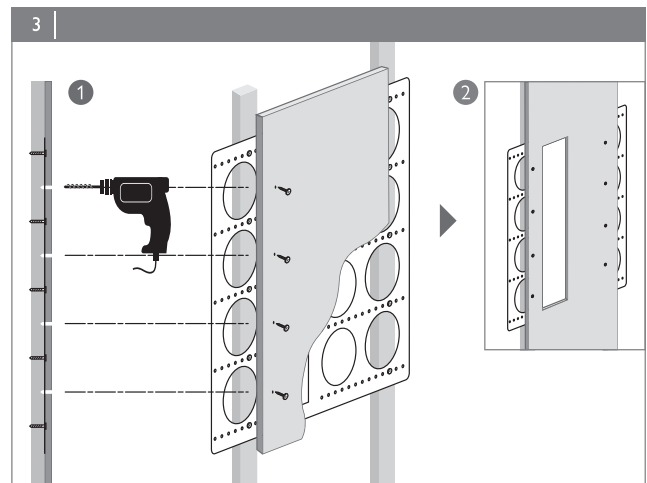
- 1 Use magnetic level to level rough-in frame



- 1 Use magnetic level to level rough-in frame
- 2 Opening should be minimum 20mm (13/16 in.) from stud



- 1 Screw rough-in frame to studs
- 2 Mount sheet-rock over frame



- 1 Use combination bit to drill out screw hole in sheet-rock to penetrate metal rough-in frame
- 2 Use zip-router to cut out sheet-rock to match hole in rough-in frame